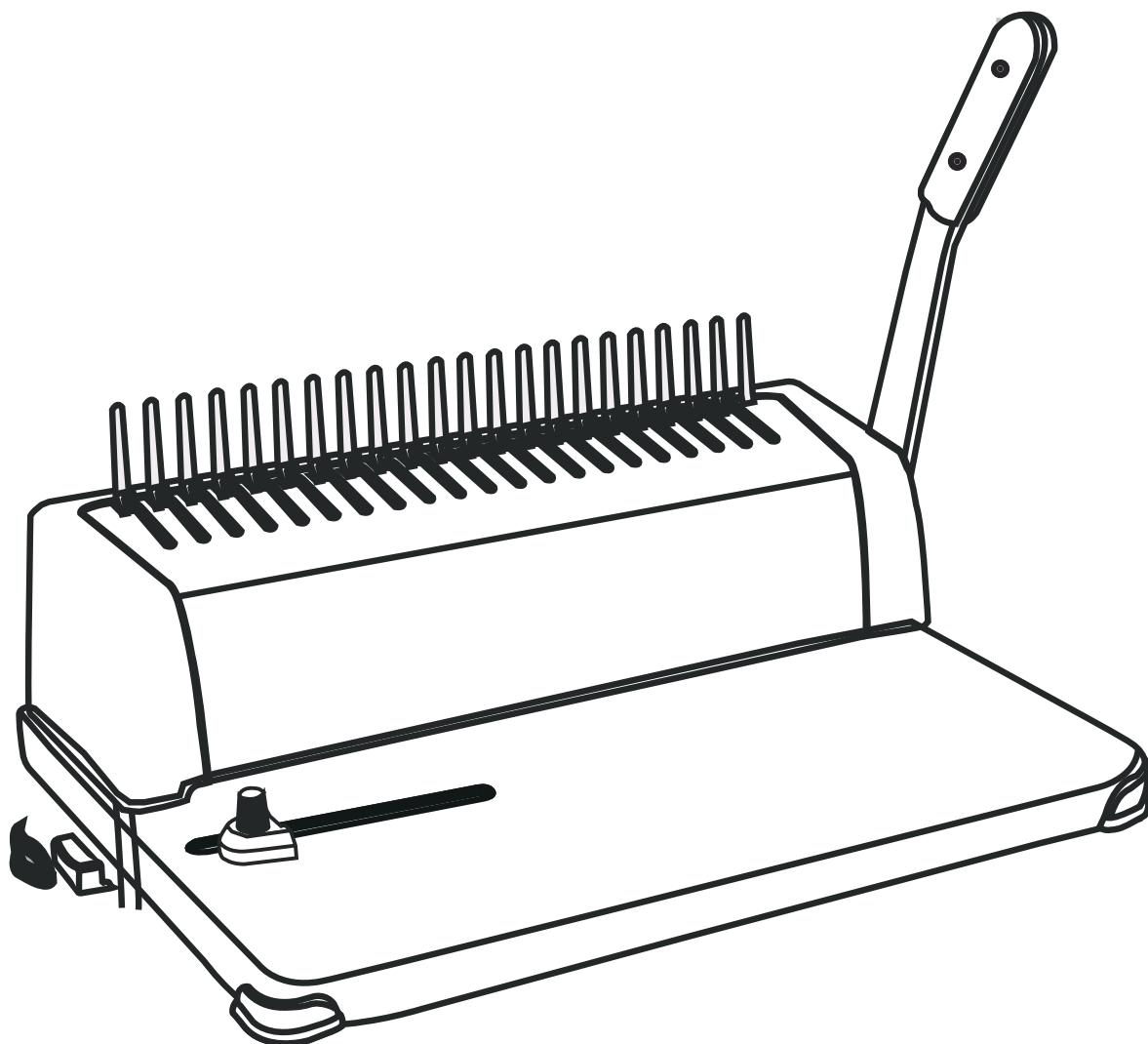


BINDING MACHINE

No.3872



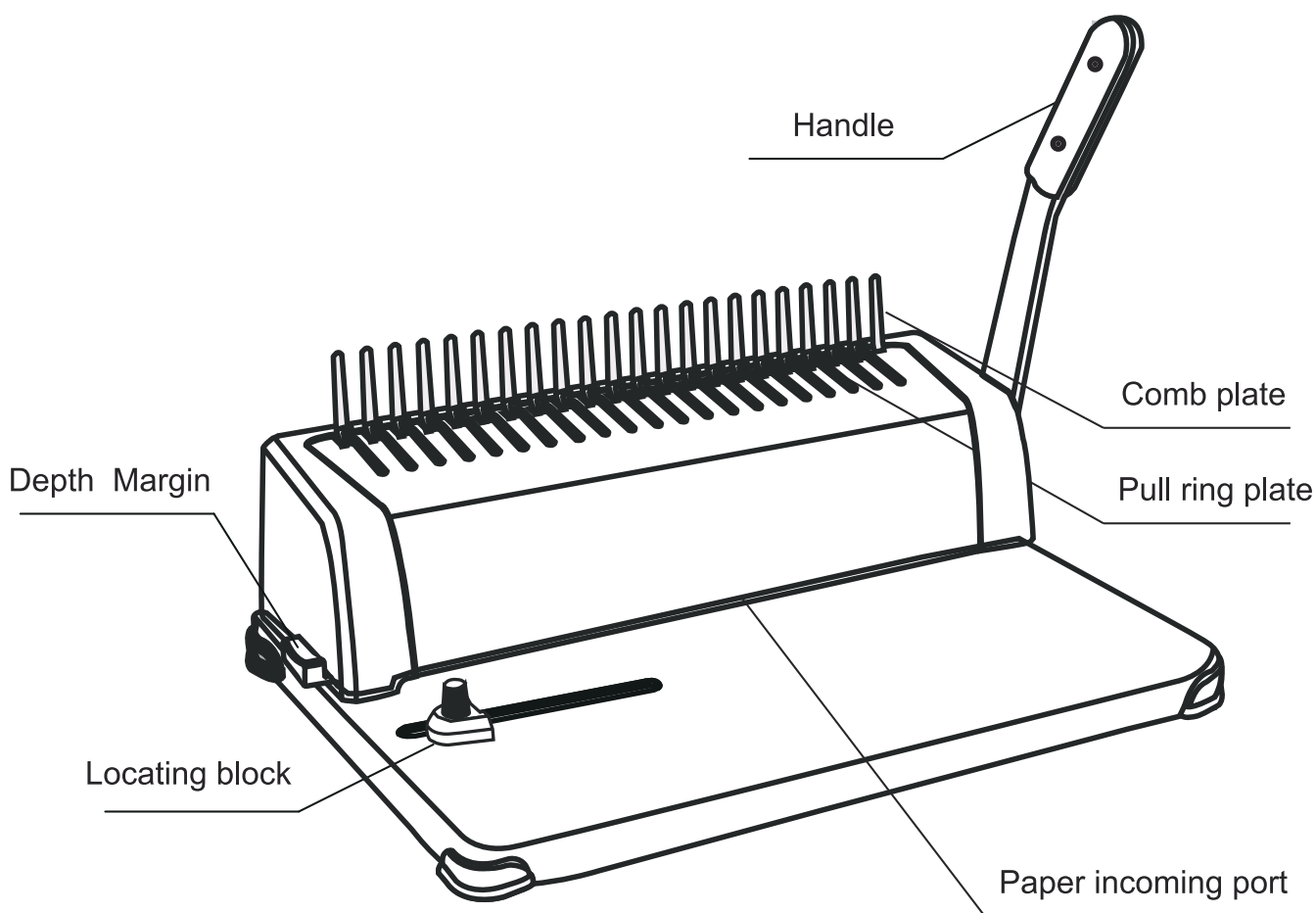
deli

DELI GROUP CO.,LTD.
www.nbdeli.com

Thank you for purchasing No.3872 rubber ring binding machine of Deli Company. The multiple functions and elegant design make the product applicable to individual use and department use. We believe that the rubber ring binding machine with complete functions will make your document binding have higher efficiency.

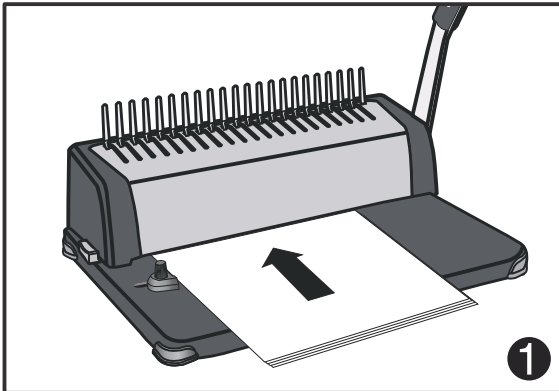
To make you correctly use the product and prevent the inconvenience caused to you and other people, please carefully read this manual.

Product apparent structure and the names

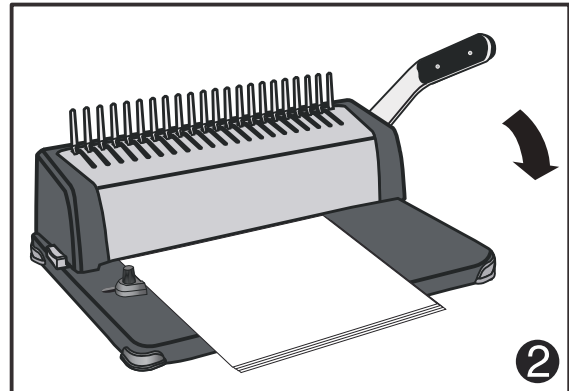


Direction for use

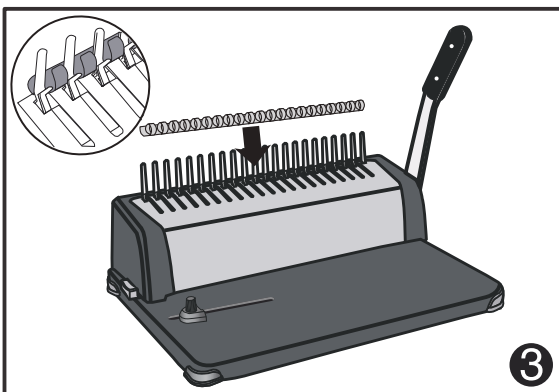
1. The machine is used for punching of paper and plastic sheet, and plastic clip is used for loose-leaf binding. The machine only can be used for this purpose, and please use it according to the operation instruction.
2. Before punching of the original materials, do remember to use waste paper to test whether the machine works normally.
3. Empty the waste container periodically.
4. The upper limit number for punching is 15, and this number shall not be exceeded.



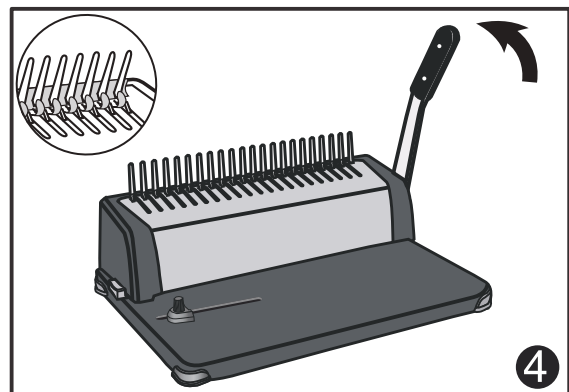
- 1、 Insert paper and adjust “limit block” to centre the paper. Select adjustable cutters to set hole punching.



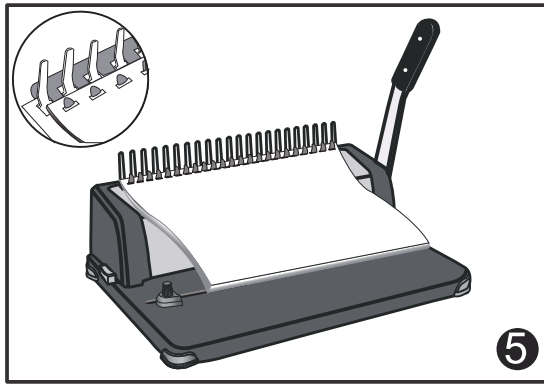
- 2、 Pull down the handle to punch holes, then lift back to the original place.



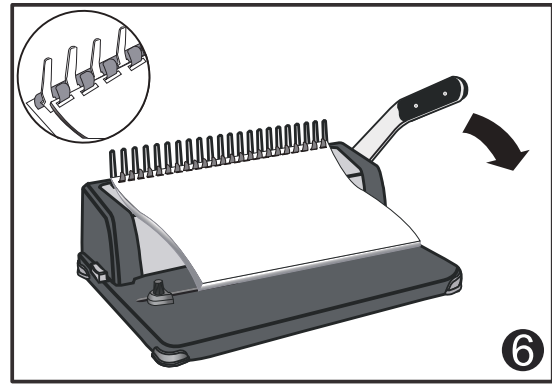
- 3、 Place the piastic rings to the back of comb opening upward.



- 4、 Push the handle backward and let the hooks engage the rings to open the plastic rings.



5、 Insert the binded paper into the plastic rings.



6、 Push the handle backward and finished of the text.

Common fault analysis and troubleshooting

Fault phenomenon	Fault cause analysis	Troubleshooting method
It is hard to press the handle when paper punching	There is paper scrap or other hard object in the paper cutting port	Take out the sundries with chipboard.
	The operation is beyond the punching capacity described in the instruction.	Operate according to the requirements of the instruction.
The punching edge distance has inclination phenomenon.	The two sides of the incoming paper are unbalanced.	The two sides of the incoming paper are unbalanced.
	There is paper scrap or other hard object in the paper cutting port.	Take out the sundries with chipboard.
The open rubber ring has inclination phenomenon.	The comb plate has deformation caused by collision.	Straighten the comb plate with a ruler.
	The draw hook of pull ring plate has deformation.	Pull the pull ring to calibrate the draw hook with hands.
Incomplete paper punching or the paper is hard to draw out.	The number of pieces of paper for punching at a time is too large.	Reduce the punching thickness of each time (based on the requirements of the instruction)
The paper cannot reach the bottom.	The paper is unserviceable and the paper edge coils.	Smoothen the paper and then re-operate.

Product parameters

Maximum punching thickness: 15 pieces of paper (70g- A4 paper)

Margin Adjustable: 2.5-6.5mm

Distance between holes: 14.3mm

Binding specification: A4 paper or below

Maximum binding thickness: 425pieces

deli

DELI GROUP CO.,LTD.
www.nbdeli.com